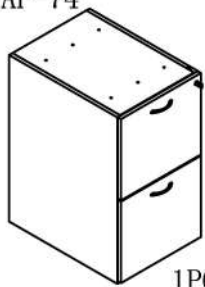
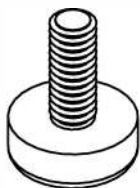


(1) NAP-74



1PCS

(D) Leg Leveller



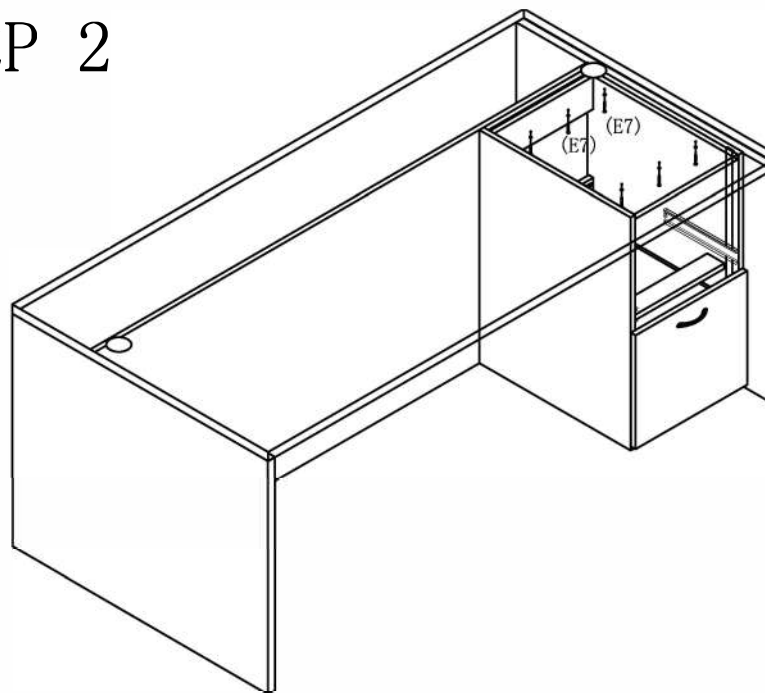
4PCS

(E7) Wood Screw

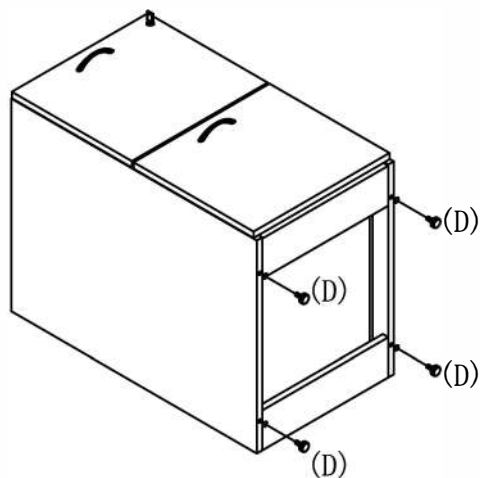


6PCS

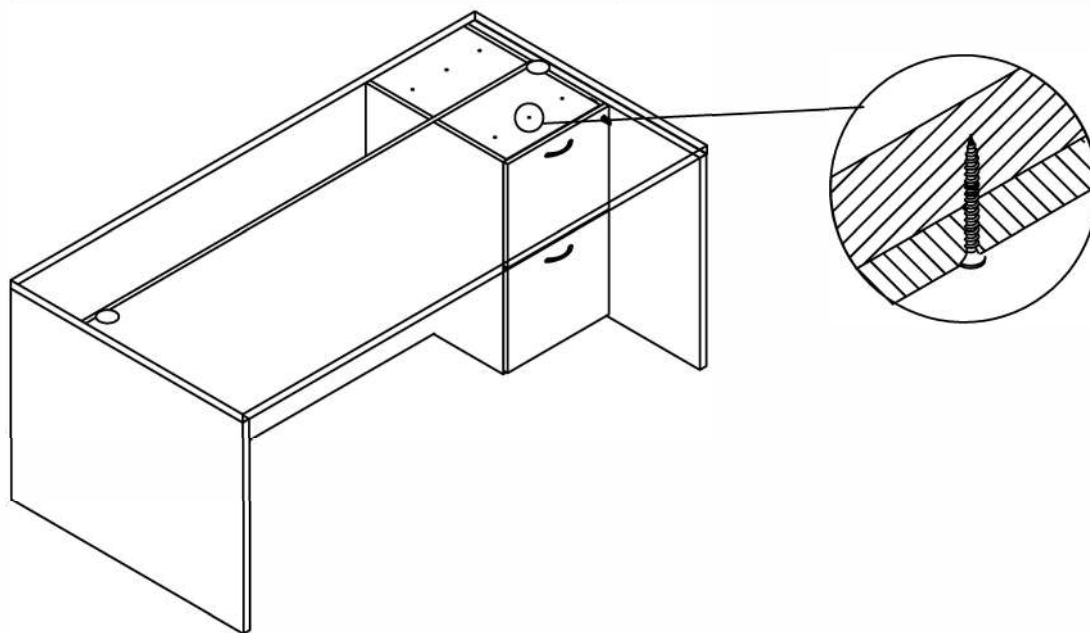
STEP 2



STEP 1



STEP 3



F/F 2 DRAWER PED

NAP-74



Always lay components on A clean, soft-cushioned surface during assembly.