

# Single & Dual

WINSTON WORKSTATION®

**Energizing your body.  
Inspiring your mind.**

Instantly converts any ergonomic computer desk into a height adjustable table boosting health and productivity.

Recent studies have shown that sitting throughout the day can have the same negative health consequences as smoking. Winston seamlessly integrates into your workday for a boost in health and wellness.

It is time to have a ergonomic standing desk.



Adjustable computer stand

## FEATURES

- Designed to accommodate standing work without the distraction of unwanted movement.
- Large surface and convenient storage tray allow you to bring all necessities with you when you stand.
- Retrofit your existing desk into a healthy workspace with three easy mounting options: freestanding, desk clamp or thru mount.
- Features a 17" range of vertical height adjustment and a locking cylinder to keep the workstation in place. No manual adjustment needed.
- Cable clips in the column and beam keep the cables organized and out of the way.
- Winston is assembled in the USA using components created through a green manufacturing process.

## MODELS

WNST-1	Supports 7 - 20 lbs (3.2 - 9.1 kg)
WNST-2	Supports 10 - 26 lbs (4.5 - 11.8 kg)

## ACCESSORIES

8472	Clamp Mount	8501	Laptop Holder Kit
8485	Thru Mount		

## FINISHES

FLAT WHITE | color code: 248

SILVER | color code: 124

VISTA BLACK | color code: 104

**Your Office Will Never Be The Same!**

**888.442.8242**



Engineered for stability.



Seamless height adjustment.



Single

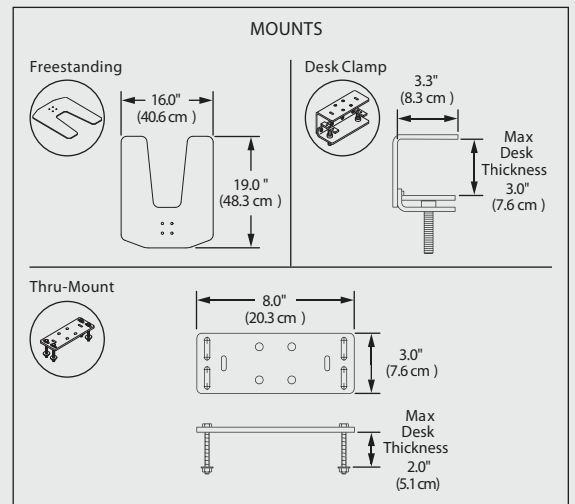
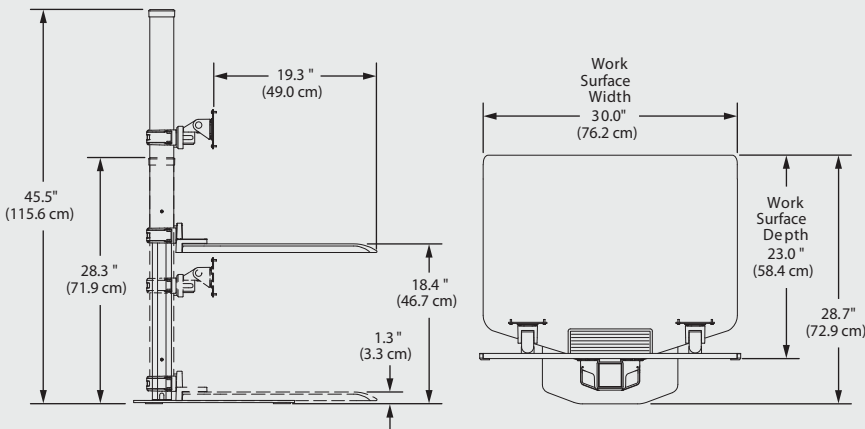


Cable management.



Expansive work surface features a storage tray —keeps items within reach.

CAPABILITIES



# Triple & Quad

## Energizing your body. Inspiring your mind.

Have more than two monitors? Winston Workstation is the only sit-stand that accommodates three and four monitors allowing users the health benefits of increased standing and the productivity of multiple monitors.

Highly productive companies and power users will appreciate the increased productivity offered by using the triple or quad Winston Workstation. Easily turn any existing desk into a multi-monitor ergonomic standing desk in minutes.



Adjustable computer stand



## FEATURES

- Designed to accommodate standing work without the distraction of unwanted movement.
- Large surface and convenient storage tray allow you to bring all necessities with you when you stand.
- Retrofit your existing desk into a healthy workspace with three easy mounting options: freestanding, desk clamp or thru mount.
- Features a 17" range of vertical height adjustment and a locking cylinder to keep the workstation in place. No manual adjustment needed.
- Cable clips in the column and beam keep the cables organized and out of the way.
- Winston is assembled in the USA using components created through a green manufacturing process.

## MODELS

WNST-3	Supports 15 - 36 lbs (6.8 - 16.3 kg)
WNST-4 (special order only)	Supports 24 - 40 lbs (10.9 - 18.1 kg)

## ACCESSORIES

8472	Clamp Mount	8501	Laptop Holder Kit
8485	Thru Mount		

## FINISHES

FLAT WHITE | color code: 248

SILVER | color code: 124

VISTA BLACK | color code: 104



Engineered for stability.



Position monitors flat or in an arch with easy to adjust hinges.

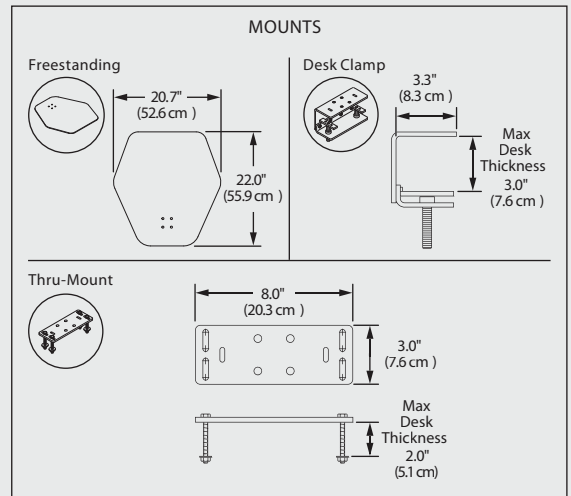
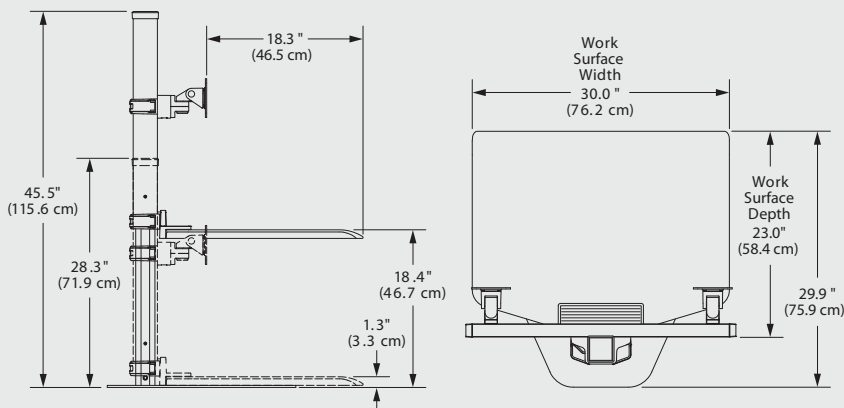


Expansive work surface features a storage tray —keeps items within reach.



Customize your Winston from the various finish and mounting options available.

CAPABILITIES



**Your Office Will Never Be The Same!**

**888.442.8242**

Serving the Nation: NY | Boston | Atlanta | Miami | Tampa | Washington DC | Virginia | Philadelphia | Denver | San Diego | Dallas | Houston | Los Angeles | Chicago